

単位 Unit : mm

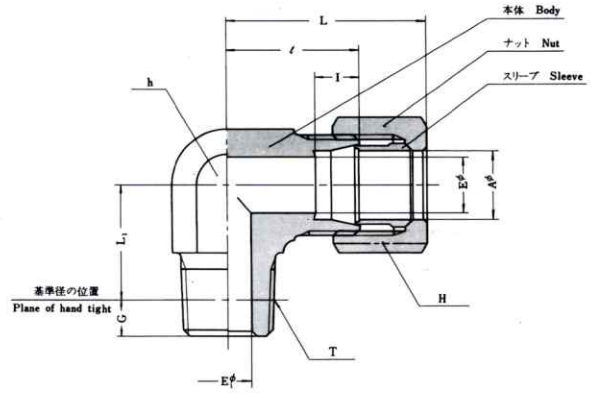
継手の呼び方 Designations	適用する管の外径 A Tube O.D.	E Minimum Opening	E ₁ Minimum Opening	基準径の位置 G Normal engagement of pipe thread by hand	二面巾 h Width Across Flats	六角対辺 H Width Across Hex. Flats	I	ℓ	(約) Approx. L	(約) Approx. L ₁	(PT) T
* KLN 4 -PT 1/8 -B	4	2.5	4	3.97	12	12	6	15	23	13	1/8
* KLN 6 -PT 1/8 -B	6	4	4	3.97	14	14	7	20	29.5	14	1/8
* KLN 6 -PT 1/4 -B	6	4	6	6.01	17	14	7	22	31.5	18	1/4
* KLN 8 -PT 1/8 -B	8	6	4	3.97	17	17	7	22	33	16	1/8
* KLN 8 -PT 1/4 -B	8	6	6	6.01	17	17	7	22	33	18	1/4
* KLN10 -PT 1/8 -B	10	8	6	6.01	17	19	7	23	35.5	19	1/4
* KLN10 -PT 1/4 -B	10	8	8.5	6.35	19	19	7	24	35.5	21	3/8
KLN12 -PT 1/4 -B	12	10	6	6.01	19	21	7	24	36.5	20	1/4
* KLN12 -PT 3/8 -B	12	10	8.5	6.35	19	21	7	24	36.5	21	3/8
KLN15 -PT 3/8 -B	15	12	8.5	6.35	23	26	7.5	29	41.5	24	3/8
KLN15 -PT 1/2 -B	15	12	12	8.16	23	26	7.5	29	41.5	25.8	1/2
KLN16 -PT 1/2 -B	16	13	12	8.16	26	29	7.5	31	44.5	27.8	1/2
KLN18 -PT 1/2 -B	18	15	12	8.16	29	32	8	33	45.5	29.9	1/2
KLN20 -PT 1/2 -B	20	17	12	8.16	29	35	8	33	45.5	30	1/2
KLN20 -PT 3/4 -B	20	17	17	9.53	29	35	8	33	45.5	30.5	3/4
KLN22 -PT 3/4 -B	22	18	17	9.53	32	35	9	35	47.5	32.5	3/4
KLN25 -PT 3/4 -B	25	20	17	9.53	35	41	10	36	49.5	33.5	3/4
KLN25 -PT 1 -B	25	20	22	10.39	35	41	10	36	49.5	35.6	1

	A	E	h	H	I	ℓ	L
K L 4 -B	4	2.5	12	12	6	15	23
K L 6 -B	6	4	14	14	7	20	29.5
K L 8 -B	8	6	17	17	7	22	33
* K L 10 -B	10	8	17	19	7	23	35.5
K L 12 -B	12	10	19	21	7	24	36.5
K L 15 -B	15	12	23	26	7.5	29	41.5
K L 16 -B	16	13	29	26	7.5	31	44.5
K L 18 -B	18	15	32	29	8	33	45.5
K L 20 -B	20	17	29	35	8	33	45.5
K L 22 -B	22	18	35	32	9	35	47.5
K L 25 -B	25	20	35	41	10	36	49.5

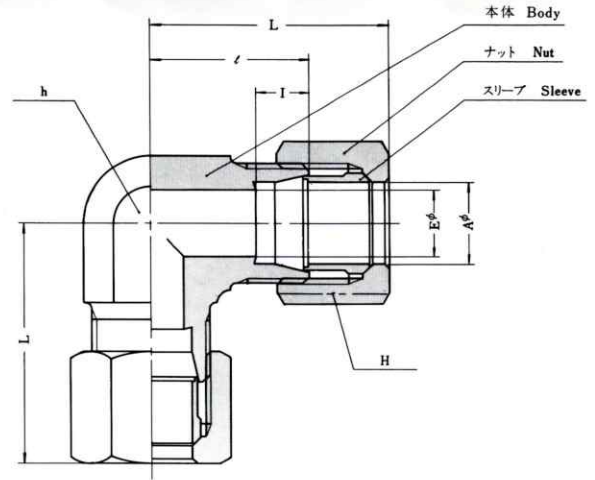
	A	E	h	H	I	ℓ	L
K T 4 -B	4	2.5	12	12	6	15	23
* K T 6 -B	6	4	14	14	7	20	29.5
* K T 8 -B	8	6	17	17	7	22	33
* K T 10 -B	10	8	17	19	7	23	35.5
K T 12 -B	12	10	19	21	7	24	36.5
K T 15 -B	15	12	23	26	7.5	29	41.5
K T 16 -B	16	13	26	29	7.5	31	44.5
K T 18 -B	18	15	29	32	8	33	45.5
K T 20 -B	20	17	29	35	8	33	45.5
K T 22 -B	22	18	32	35	9	35	47.5
K T 25 -B	25	20	35	41	10	36	49.5

	A	ℓ
K O 4 -B	4	7
K O 6 -B	6	9
K O 8 -B	8	9
K O 10 -B	10	10
K O 12 -B	12	10
K O 15 -B	15	10
K O 16 -B	16	10
K O 18 -B	18	10
K O 20 -B	20	10
K O 22 -B	22	10
K O 25 -B	25	11

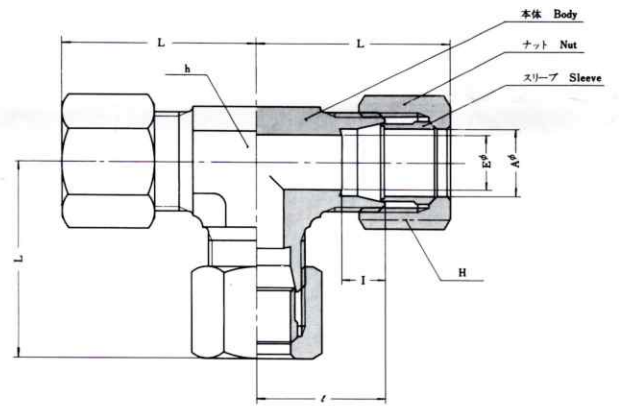
エルボニップル(おす) MALE ELBOW



エルボ UNION ELBOW



ティ UNION TEE



スリーブ SLEEVE

