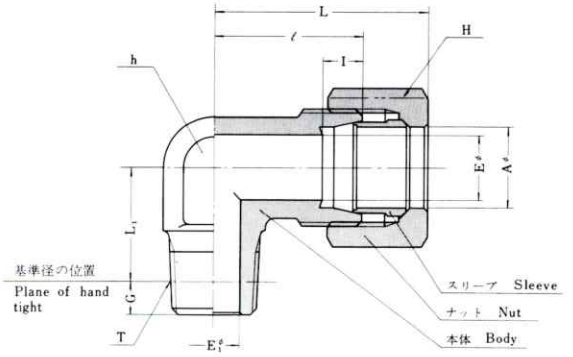


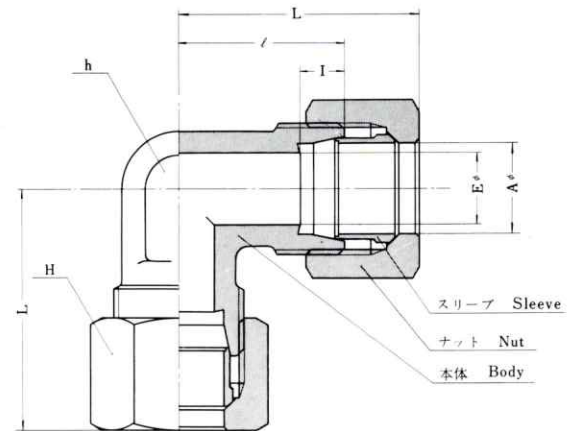
単位 Unit : mm

継手の呼び方 Designations	適用する管の外径 A Tube O. D.	Minimum Opening		基準径の位置 G Normal engagement of pipe thread by hand	二面巾 h Width Across Flats	六角対辺 H Width Across Hex. Flats	I	ℓ	(約) Approx. L	(約) Approx. L ₁	(PT) T
		E	E ₁								
KLN 4 -PT $\frac{1}{8}$ -B-1	4	2.5	2.5	3.97	8	10	6.5	16	23.5	13	$\frac{1}{8}$
*KLN 6 -PT $\frac{1}{8}$ -B-1	6	4	4	3.97	8	12	6.5	19	27	15	$\frac{1}{8}$
*KLN 6 -PT $\frac{1}{4}$ -B-1	6	4	4	6.01	8	12	6.5	19	27	16	$\frac{1}{4}$
*KLN 8 -PT $\frac{1}{8}$ -B-1	8	6	4	3.97	10	14	6.5	19	27	15	$\frac{1}{8}$
*KLN 8 -PT $\frac{1}{4}$ -B-1	8	6	6	6.01	10	14	6.5	19	27	16	$\frac{1}{4}$
KLN10-PT $\frac{1}{4}$ -B-1	10	8	6	6.01	12	17	6.5	21	29.5	18	$\frac{1}{4}$
KLN10-PT $\frac{3}{8}$ -B-1	10	8	8.5	6.35	12	17	6.5	21	29.5	18.5	$\frac{3}{8}$
KLN12-PT $\frac{1}{4}$ -B-1	12	10	6	6.01	14	19	6.5	22	32	19	$\frac{1}{4}$
KLN12-PT $\frac{3}{8}$ -B-1	12	10	8.5	6.35	14	19	6.5	22	32	19.5	$\frac{3}{8}$
KLN15-PT $\frac{3}{8}$ -B-1	15	12	8.5	6.35	17	23	8	25	34.5	21.5	$\frac{3}{8}$
KLN15-PT $\frac{1}{2}$ -B-1	15	12	12	8.16	17	23	8	25	34.5	23	$\frac{1}{2}$
KLN20-PT $\frac{1}{2}$ -B-1	20	17	12	8.16	23	29	8	29	39	26	$\frac{1}{2}$
KLN20-PT $\frac{3}{4}$ -B-1	20	17	17	9.53	23	29	8	29	39	26.5	$\frac{3}{4}$
KLN25-PT $\frac{3}{4}$ -B-1	25	20	17	9.53	30	36	9	35	46	30.5	$\frac{3}{4}$
KLN25-PT 1 -B-1	25	20	23	10.39	30	36	9	35	46	32	1

エルボニップル(おす) MALE ELBOW



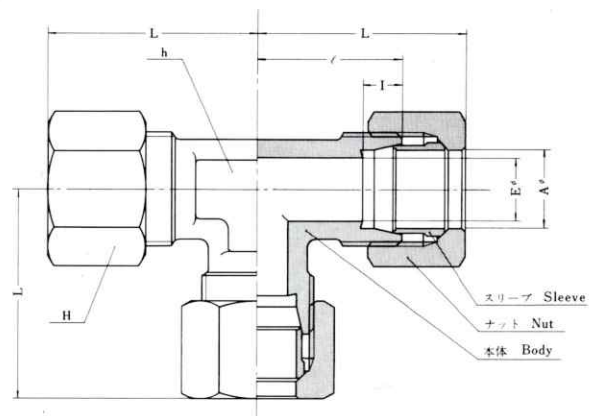
エルボ UNION ELBOW



	A	E	h	H	I	ℓ	L
KL 4 -B-1	4	2.5	8	10	6.5	16	23.5
KL 6 -B-1	6	4	8	12	6.5	19	27
KL 8 -B-1	8	6	10	14	6.5	19	27
KL 10 -B-1	10	8	12	17	6.5	21	29.5
KL 12 -B-1	12	10	14	19	6.5	22	32
KL 15 -B-1	15	12	17	23	8	25	34.5
KL 20 -B-1	20	17	23	29	8	29	39
KL 25 -B-1	25	20	30	36	9	35	46

	A	E	h	H	I	ℓ	L
KT 4 -B-1	4	2.5	8	10	6.5	16	23.5
KT 6 -B-1	6	4	8	12	6.5	19	27
KT 8 -B-1	8	6	10	14	6.5	19	27
KT 10 -B-1	10	8	12	17	6.5	21	29.5
KT 12 -B-1	12	10	14	19	6.5	22	32
KT 15 -B-1	15	12	17	23	8	25	34.5
KT 20 -B-1	20	17	23	29	8	29	39
KT 25 -B-1	25	20	30	36	9	35	46

テ ィ ー UNION TEE



	A	ℓ
KO 4 -B-1	4	7
KO 6 -B-1	6	7
KO 8 -B-1	8	7.5
KO 10 -B-1	10	7.5
KO 12 -B-1	12	7.5
KO 15 -B-1	15	8.5
KO 20 -B-1	20	8.5
KO 25 -B-1	25	9

スリーブ SLEEVE

