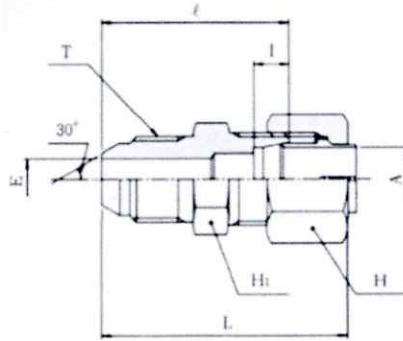


# ホース接続ユニオン



単位：mm

| 継手の呼び      | 適用管外径<br>A | (G)<br>T | E    | 六角対辺           |    | I   | ℓ  | 手じめ(約)<br>L | 重量<br>(kg) |
|------------|------------|----------|------|----------------|----|-----|----|-------------|------------|
|            |            |          |      | H <sub>1</sub> | H  |     |    |             |            |
| KUC08-020E | 8          | 1/4      | 5.5  | 17             | 17 | 7   | 35 | 45.5        | 0.047      |
| KUC08-030E | 8          | 3/8      | 6    | 19             | 17 | 7   | 37 | 47.5        | 0.062      |
| KUC10-020E | 10         | 1/4      | 5.5  | 17             | 19 | 7   | 35 | 46.5        | 0.053      |
| KUC10-030E | 10         | 3/8      | 8    | 19             | 19 | 7   | 37 | 48.5        | 0.064      |
| KUC10-040E | 10         | 1/2      | 8    | 22             | 19 | 7   | 40 | 51.5        | 0.091      |
| KUC12-020E | 12         | 1/4      | 5.5  | 19             | 22 | 7   | 35 | 46.5        | 0.064      |
| KUC12-030E | 12         | 3/8      | 8    | 19             | 22 | 7   | 37 | 48.5        | 0.070      |
| KUC12-040E | 12         | 1/2      | 10   | 22             | 22 | 7   | 40 | 51.5        | 0.094      |
| KUC15-030E | 15         | 3/8      | 8    | 24             | 27 | 7.5 | 40 | 52.5        | 0.113      |
| KUC15-040E | 15         | 1/2      | 11   | 24             | 27 | 7.5 | 42 | 54.5        | 0.121      |
| KUC16-030E | 16         | 3/8      | 8    | 27             | 30 | 7.5 | 40 | 52.5        | 0.144      |
| KUC16-040E | 16         | 1/2      | 11   | 27             | 30 | 7.5 | 42 | 54.5        | 0.152      |
| KUC18-040E | 18         | 1/2      | 11   | 27             | 32 | 8   | 42 | 54.5        | 0.157      |
| KUC20-060E | 20         | 3/4      | 16   | 30             | 36 | 8   | 46 | 58.5        | 0.223      |
| KUC22-040E | 22         | 1/2      | 11   | 32             | 36 | 9   | 44 | 56.5        | 0.197      |
| KUC22-060E | 22         | 3/4      | 16   | 32             | 36 | 9   | 46 | 58.5        | 0.213      |
| KUC25-060E | 25         | 3/4      | 16   | 36             | 41 | 10  | 47 | 60.5        | 0.286      |
| KUC25-080E | 25         | 1        | 20   | 36             | 41 | 10  | 49 | 62.5        | 0.314      |
| KUC28-060E | 28         | 3/4      | 16   | 41             | 46 | 10  | 49 | 63          | 0.369      |
| KUC28-080E | 28         | 1        | 21.5 | 41             | 46 | 10  | 51 | 65          | 0.383      |
| KUC30-060E | 30         | 3/4      | 16   | 41             | 46 | 10  | 49 | 63.5        | 0.357      |
| KUC30-080E | 30         | 1        | 21.5 | 41             | 46 | 10  | 51 | 65.5        | 0.373      |
| KUC35-100E | 35         | 1 1/4    | 28   | 46             | 55 | 11  | 56 | 73.5        | 0.565      |

注. 予告なしに、品質・性能・改善のため寸法を変更する事があります。