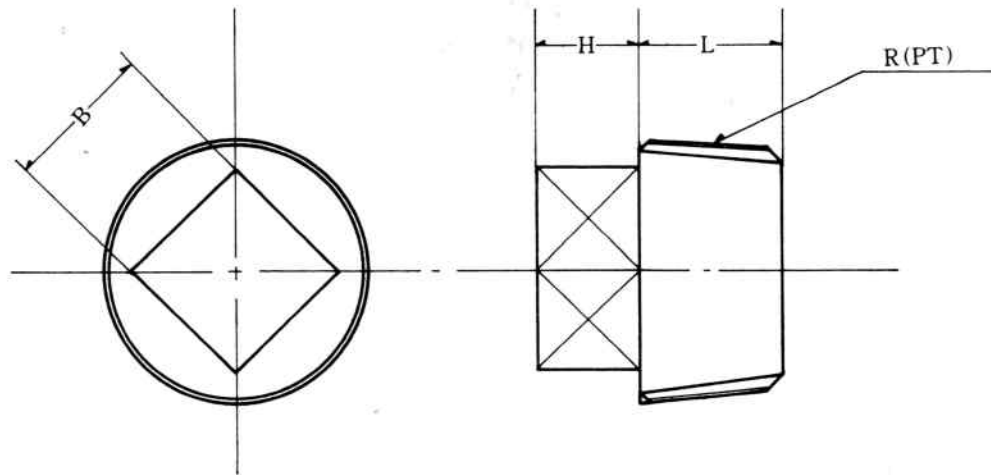




ねじ込み形4角プラグ
THREADED S. HEAD PLUGS

SPS (PLUGS)



S P S

UNIT : mm

NOM. SIZE		R (PT)	L	H	B
(A)	(B)				
6	$\frac{1}{8}$	$\frac{1}{8}$	9	7	7
8	$\frac{1}{4}$	$\frac{1}{4}$	11	9	9
10	$\frac{3}{8}$	$\frac{3}{8}$	12	10	12
15	$\frac{1}{2}$	$\frac{1}{2}$	15	11	14
20	$\frac{3}{4}$	$\frac{3}{4}$	17	12	17
25	1	1	19	13	19
32	$1\frac{1}{4}$	$1\frac{1}{4}$	22	14	23
40	$1\frac{1}{2}$	$1\frac{1}{2}$	22	15	26
50	2	2	26	16	32

ヤマト特殊鋼株式会社
YAMATO SPECIAL STEEL CO.,LTD.

Sheet No. JT-9